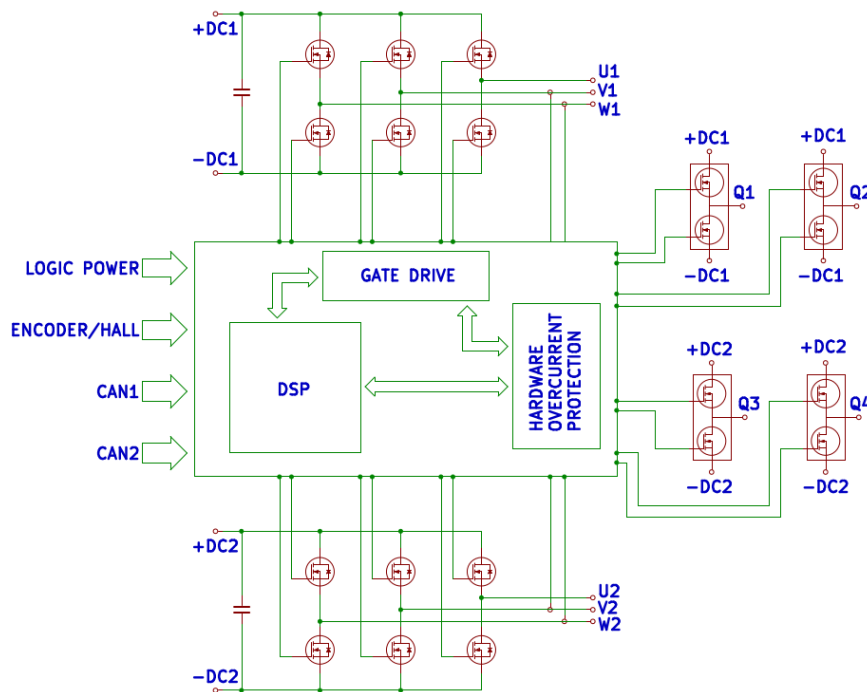


BLOCK SCHEME



BENEFIT

CMC-420 is highly reliable and robust low voltage controller for AC and DC motors.

Primarily it is developed to serve as motion controller in servo drives but it can be used to control auxiliary systems, such as pumps or compressors, as well.

Systems which demand high space constraints and high system integration will benefit the most from this controller.

The device is highly flexible as it can simultaneously control up to four AC or DC motors (two AC or DC up to 600W and two DC up to 150W).

Furthermore, control algorithm for the device can easily be adapted to customers requests.

TECHNICAL DATA

Supported motor types	<ul style="list-style-type: none"> synchronous permanent magnet AC, induction AC <ul style="list-style-type: none"> BLDC, brushed DC
Voltage supply	24-30 V
Current	25 A cont.
Voltage logic	24-30 V
Communication	CAN (CEMC-CAN matrix, or per customer request)
Interface	6 analog, 2 digital I/O
Position sensor	incremental encoder, magnetic

PIN ASSIGNMENT

A- 22 PIN		B- 22 PIN	
PIN	Signal name	PIN	Signal name
1	MOT_FLOW_A	1	MOT_STREAM_A
2	MOT_FLOW_A	2	MOT_STREAM_B
3	AI_A10V_1	3	AI_B10V_1
4	AI_A20mA_1	4	AI_B20mA_1
5	AI_A10V_2	5	AI_B10V_2
6	AI_A20mA_2	6	AI_B20mA_2
7	AI_A10V_3	7	AI_B10V_3
8	12/5V	8	12/5V
9	DCB-	9	DCB-
10	DCB-	10	DCB-
11	MOT_ROT_B	11	MOT_ELE_B
12	DIN_A_2	12	DIN_B_2
13	DCB+	13	DCB+
14	DCB+	14	DCB+
15	DIN_A_1	15	DIN_B_1
16	LOG_PWR	16	LOG_PWR
17	CANLO1	17	CANLO2
18	ANA_PWR	18	ANA_PWR
19	CANHI1	19	CANHI2
20	ANA_GND	20	ANA_GND
21	MOT_ROT_A	21	MOT_ELE_A
22	LAMP	22	LAMP

CONTACT

Cognitio Elektronika d.o.o
 X Podbrežje 26
 HR-10020 Zagreb, Hrvatska
 +385 (0)1 7788-840
 info@cognitio-elektronika.hr

