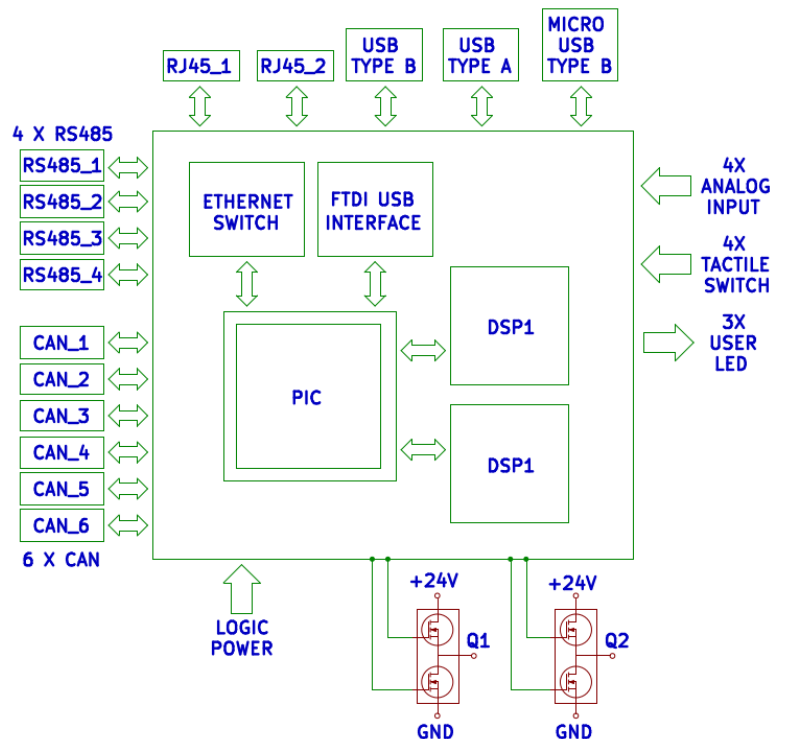


MAIN FEATURES

- 6 CAN channels
- Ethernet with two-channel switch
- USB diagnostics channel
- USB configuration channel
- 4 RS485 channels
- 2 H-bridge outputs
- 4 analog inputs
- RTC
- Three-axis accelerometer

BLOCK SCHEME



BENEFIT

SUDO-6 serves as the system's central "brain", controlling the periphery of various systems with great precision and efficiency.

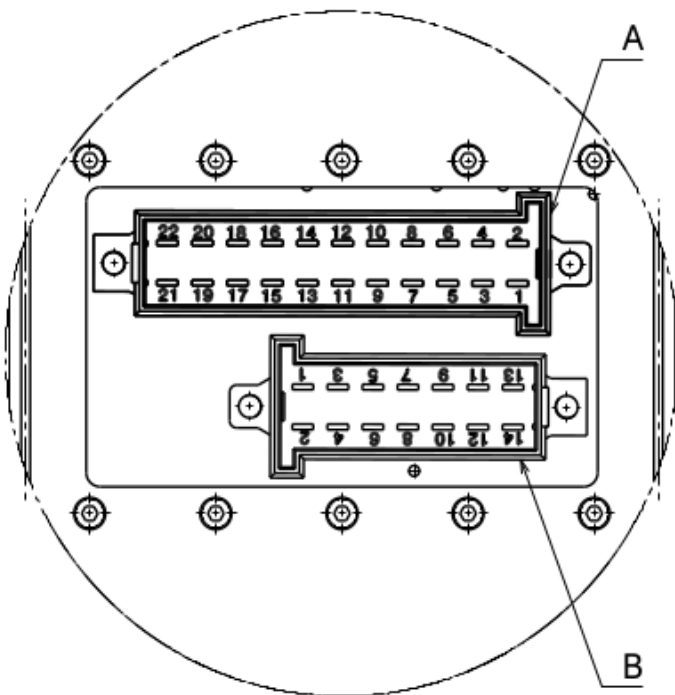
It is programmed in C language using Microchip MPLAB X.

The device's versatility in terms of communication greatly enhances efficiency and reliability of the whole system.

TECHNICAL DATA

Supply voltage	24 VDC
Current	0.2 A
Interface	<ul style="list-style-type: none"> • 6 x CAN • 2 x USB • 4 x RS485 • Ethernet • 4 analog inputs

PIN ASSIGNMENT



A - 22 PIN

PIN	Signal name
1	RS485-4A
2	RS485-4B
3	RS485-3A
4	RS485-3B
5	RS485-2A
6	RS485-2B
7	RS485-1A
8	RS485-1B
9	Analog In 1
10	Analog In 2
11	Analog In 3
12	Analog In 4
13	Digital Out 1
14	Digital Out 2
15	CAN1 HI
16	CAN2 HI
17	CAN1 GND
18	CAN2 GND
19	CAN1 LO
20	CAN2 LO
21	GND
22	+24V

B - 14 PIN

PIN	Signal name
1	+5V
2	GND
3	GND
4	CAN5 LO
5	GND
6	CAN5 HI
7	CAN6 HI
8	CAN6 LO
9	GND
10	CAN3 LO
11	GND
12	CAN3 HI
13	CAN4 HI
14	CAN4 LO

CONTACT

Cognitio Elektronika d.o.o
 X Podbrežje 26
 HR-10020 Zagreb, Hrvatska
 +385 (0)1 7788-840
 info@cognitio-elektronika.hr

